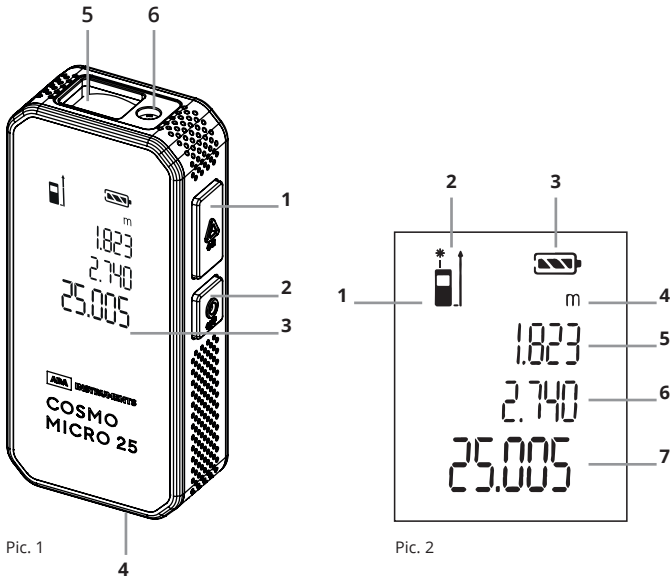


OPERATING MANUAL

COSMO MICRO 25

Laser distance meter



Pic. 1

Pic. 2

CHARACTERISTICS:

Working range, m	0.05~25
Accuracy, mm	±3
Minimum unit of measurement, m	1
Measurement unit	m/ft
Laser class	класс 2
Laser type	620~690nm; <1mV
Automatic switch-off, sec	180
Battery/charger connector	built-in Li-ion battery / USB Type-C 5V
Operating temperature, C °	0~40
Storage temperature, C °	-20~60
Dimensions, mm	84×39×19
Weight, g	50.5

FEATURES (PIC. 1):

1. On/measuring/continuous measurement
2. Clear/Off
3. Display
4. Power connector USB Type-C
5. Receiving lense
6. Laser window

DISPLAY (PIC. 2):

1. Reference point (the bottom edge only)
2. Laser is On
3. Battery power
4. Measurement unit (m/ft)
5. Line 2
6. Line 1
7. Main line

BATTERY CHARGE

Laser distance meter works from the built-in Li-On battery. Battery power is shown on the display (3). Blinking power indicator (3) without inner bars shows low battery level. To charge, connect the charger via USB Type-C wire to the connector on the bottom part of the tool. When fully charged, the indicator (3) does not blink, all segments are filled.

ATTENTION! Do not use a charger with an output voltage higher than 5V. Higher voltage will damage the device.

ON / OFF

- Press button (1) once: the device and laser are switched On.
- Long pressing the button activates the continuous measuring.
- To switch Off the tool press and hold button (2) within 2 sec.

MEASUREMENT UNIT (FT/M)

Switch Off the tool. Press and hold button (1) for more than 8 sec until you hear a beep sound. Selected measurement units (ft/m) will be shown on the display. Next time when switching on the tool, if you do not plan to change measurement units, do not press button ON for more than 8 sec.

MEASUREMENTS

Press button (1) once to switch On the tool and activate laser. Press the button once again to make measurements. A beep will sound. The result of the measurement will be shown in the main stroke. At the next measurement, the result will be displayed in the stroke 1, and the previous result will move to stroke 1. To erase the result, press button (2).

CONTINUOUS MEASUREMENT

In continuous measurement mode, the tool continuously measures distances. To activate this mode, press and hold button (1) for more than 2 seconds. The display will show measured distance in the main stroke, the minimum measured distance in the stroke 1 and the maximum measured distance in the stroke 2. To turn off the continuous measurement, press button (1).

OPERATION WITH MOBILE APP

Measured distances can be transferred to a mobile device. To get started, install the ADA PHOTO PLAN software by scanning the QR code on the package, or search online app stores. In the application, you can take photos of measured objects or drawing. On the lines indicating the dimensions, you can apply the values obtained from the device.

CALIBRATION ADJUSTMENT

Measurement accuracy can be calibrated by the user. Calibration step is 1 mm. Make a control measurement of the distance. Calculate the correction to be entered into the memory of the tool using the formula (in mm):

True value - received value = correction.
(e.g.: 200 mm - 202 mm = -2 mm).

How to make a correction:

- Switch OFF the tool.
- Press and hold button (OFF) for more than 10 sec until you hear a beep. The display will show the correction value entered at the factory.
- To calculate a new correction value, it is necessary to add the calculated correction with its own sign. Для вычисления нового значения поправки нужно прибавить вычисленную поправку со своим знаком (f.e.: 13 mm + (-2mm) = 11 mm).
- Press button Switch ON (increase) or Switch OFF (decrease) to set new calibration value.
- To save new value and exit calibration mode, press and hold Switch ON button while you hear a beep signal.
- Switch OFF the tool.

SAFETY INSTRUCTIONS

Prohibited:

- Use a charger with an output voltage higher than 5V to charge the battery of the tool;
- Use the tool outside of the instructions and use beyond the permitted

- operations;
- Use the device in an explosive environment (gas station, gas equipment, chemical production, etc.);
- Disabling the tool and removing warning and indicative labels from the tool;
- Opening the tool with tools (screwdrivers, etc.), changing the design of the tool or modifying it;
- Intentional blinding of third parties by the laser, direct aiming of the device at the sun;
- Look at the laser beam.

WARRANTY

This product is warranted by the manufacturer to the original purchaser to be free from defects in material and workmanship under normal use for a period of two (2) years from the date of purchase. During the warranty period, and upon proof of purchase, the product will be repaired or replaced (with the same or similar model at manufacturer's option), without charge for either parts or labour. In case of a defect please contact the dealer where you originally purchased this product. The warranty will not apply to this product if it has been misused, abused or altered. Without limiting the foregoing, leakage of the battery, bending or dropping the unit are presumed to be defects resulting from misuse or abuse.

PRODUCT LIFE

Product life of the tool is 3 years. The battery and the tool should never be placed in municipal waste.

EXCEPTIONS FROM RESPONSIBILITY

The user of this product is expected to follow the instructions given in operators' manual. Although all instruments left our warehouse in perfect condition and adjustment the user is expected to carry out periodic checks of the product's accuracy and general performance.

The manufacturer, or its representatives, assumes no responsibility of results of a faulty or intentional usage or misuse including any direct, indirect, consequential damage, and loss of profits. The manufacturer, or its representatives, assumes no responsibility for consequential damage, and loss of profits by any disaster (earthquake, storm, flood ...), fire, accident, or an act of a third party and/or a usage in other than usual conditions.

The manufacturer, or its representatives, assumes no responsibility for any damage, and loss of profits due to a change of data, loss of data and interruption of business etc., caused by using the product or an unusable product. The manufacturer, or its representatives, assumes no responsibility for any damage, and loss of profits caused by usage other than explained in the users' manual.

The manufacturer, or its representatives, assumes no responsibility for damage caused by wrong movement or action due to connecting with other products.

WARRANTY DOESN'T EXTEND TO FOLLOWING CASES:

1. If the standard or serial product number will be changed, erased, removed or will be unreadable.
2. Periodic maintenance, repair or changing parts as a result of their normal runout.
3. All adaptations and modifications with the purpose of improvement and expansion of normal sphere of product application, mentioned in the service instruction, without tentative written agreement of the expert provider.
4. Service by anyone other than an authorized service center.
5. Damage to products or parts caused by misuse, including, without limitation, misapplication or negligence of the terms of service instruction.
6. Power supply units, chargers, accessories, wearing parts.
7. Products, damaged from mishandling, faulty adjustment, maintenance with low-quality and non-standard materials, presence of any liquids and foreign objects inside the product.
8. Acts of God and/or actions of third persons.
9. In case of unwarranted repair till the end of warranty period because of damages during the operation of the product, its transportation and storing, warranty doesn't resume.

WARRANTY CARD

Name and model of the product _____

Serial number _____ Date of sale _____

Name of commercial organization _____

Stamp of commercial organization.

Warranty period for the instrument exploitation is 24 months after the date of original retail purchase.

During this warranty period the owner of the product has the right for free repair of his instrument in case of manufacturing defects.

Warranty is valid only with original warranty card, fully and clear filled (stamp or mark of the seller is obligatory).

Technical examination of instruments for fault identification which is under the warranty, is made only in the authorized service center.

In no event shall manufacturer be liable before the client for direct or consequential damages, loss of profit or any other damage which occur in the result of the instrument outage.

The product is received in the state of operability, without any visible damages, in full completeness. It is tested in my presence. I have no complaints to the product quality. I am familiar with the conditions of warranty service and I agree.

Purchaser signature _____

Before operating you should read service instruction!

If you have any questions about the warranty service and technical support contact seller of this product